



Metrologic®
We really work for you.™

MS1690 **Focus™**

Focus provides users with increased throughput for virtually all 1D and 2D bar code reading applications - including poorly printed or damaged bar codes - by incorporating high resolution imaging, FirstFlash scanning technology, and true contact reading into an affordable solution.

Metrologic's Focus is a high performance hand-held area imager. This omnidirectional scanner decodes virtually all of today's standard bar codes including 1D, RSS, PDF417, microPDF, EAN/UCC Composite, Matrix and Postal Codes regardless of orientation. Where image capture is concerned, Focus combines a high-resolution CMOS sensor with an extremely powerful processor to provide a wide array of outputs at high rates of speed.

For years, Metrologic has been designing and manufacturing fixed position industrial imaging systems that are used by some of the world's

leading parcel handling companies, distribution centers, and postal services. That core technology combined with optical design expertise produced the Focus, a hand-held device built to endure today's toughest work environments, packed with the most complete set of features, ease of use, and stylish, modern design.

Focus can be utilized in a variety of applications such as; retail, healthcare, shipping/receiving and supply chain management. Its laser like reading of 1D codes and omni-directional reading of 2D codes combined with a competitive price make it the obvious solution to a broad array of applications. With its arsenal of features, Focus is the all-in-one scanner.

www.metrologic.com

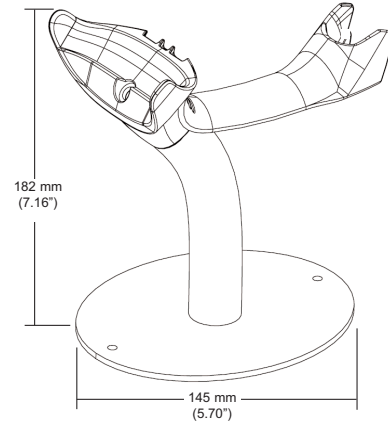
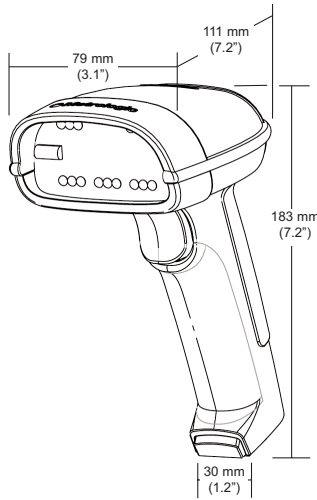


FEATURES

- FirstFlash™
- Omnidirectional scanning
- Linear illumination
- Multiple code select
- Illumination forward design

BENEFITS

- Increases productivity in all applications by scanning virtually every bar code on the first LED flash.
- Eliminates the need for the user to orientate the hand-held scanner to a bar code.
- Facilitates laser-like menu scanning with an area imager.
- Scan up to 7 bar codes with one trigger pull and output data in the desired order
- Ability to scan at contact, consistent scan performance throughout DOF, no dead zone



OPERATIONAL

Light Source	LED 645 nm ± 7.5 nm
Decode Capability	Autodiscriminates all standard 1-D, RSS, PDF417, microPDF, MaxiCode, Data Matrix, QR Code, UCC, EAN Composites, Postals, Aztec
System Interfaces	PC Keyboard Wedge, RS232, Stand Alone Keyboard, USB, IBM
Beeper Operation	7 tones or no beep
Indicators (LED)	Blue=unit powered, ready to scan; White=good read; Yellow=in stand

MECHANICAL

Height	183 mm (7.2")
Depth	111 mm (4.9")
Width	Handle - 30 mm (1.2"); Head - 79 mm (3.1")
Weight	225 g (8.0 oz)
Termination	10 pin modular RJ45
Cable	Standard 2.7 m (9') coiled; optional 2.1 m (7') straight

ELECTRICAL

Input Voltage	5 V
Power - Operating	2 W (peak)
Power - Standby	800 mW
Current - Operating	400 mA (peak)
Current - Standby	160 mA
DC Transformers	5 V @ 650 mA
EMC	FCC Class A, IEC60825-1 LED Safety
ESD Protection	Functional after 100 15kV discharges
LED Class	Class 1; IEC60825-1:1993/A1:1997 + A2:2001 Class 1; EN60825-1:1994/A11:1996 + A2:2001

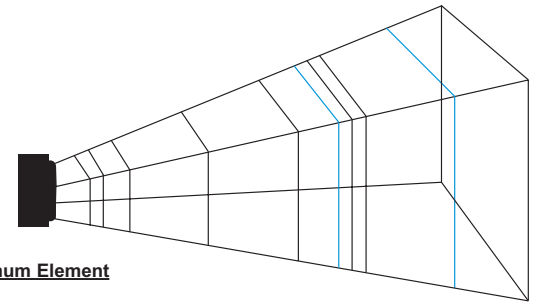
ENVIRONMENTAL

Operating Temperature	0°C to 40°C (32°F to 104°F)
Storage Temperature	-40°C to 60°C (-40°F to 140°F)
Humidity	0% to 95% relative humidity, non-condensing
Light Levels	Up to 100,000 Lux (9,290 footcandles)
Shock	Designed to withstand 1.5 m (5') drops
Contaminants	Sealed to resist airborne particulate contaminants

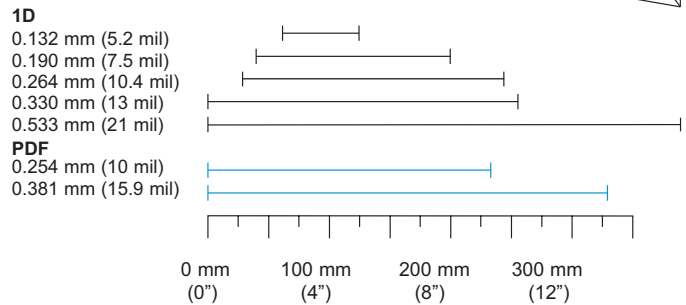
SCAN PERFORMANCE

Depth of Field (programmable)	0 mm - 229 mm (0" - 9") for 0.33 mm (13 mil) bar codes
Field of View	49 mm W x 19 mm H (1.9" W x 0.8" H) @ 20 mm (0.8"); 264 mm W x 106 mm H (10.4" W x 4.2" H) @ 280 mm (11.0")
Minimum element width, 1D	0.127 mm (5.0 mil)
Minimum element width, 2D	0.254 mm (10.0 mil)
Resolution	1280 x 512
Print Contrast	20% minimum reflectance difference
Pitch, Skew	15°, 15°

Scan Area



Bar Code Minimum Element



Product Colors Available
 Dark Grey Black

MS1690 is available in a variety of other colors with minimum quantity purchase



Sunrise 2005 Compliant



www.metrologic.com
ISO 9001:2000

Metrologic Instruments, Inc. | **Worldwide Headquarters**
 90 Coles Road | Blackwood, NJ 08012-4683 | info@metrologic.com
 Telephone 856-228-8100 | Fax 856-228-6673

Asian Headquarters Tel. 65.6842.7155 info@sg.metrologic.com	European Headquarters Tel. 49.89.89019.0 info@eu.metrologic.com	The Americas Headquarters Tel. 1.800.ID.METRO info@us.metrologic.com
--	--	---

Specifications subject to change without notice.
 Printed U.S.A., Copyright May 2005
 Metrologic, All rights reserved.



DS1690